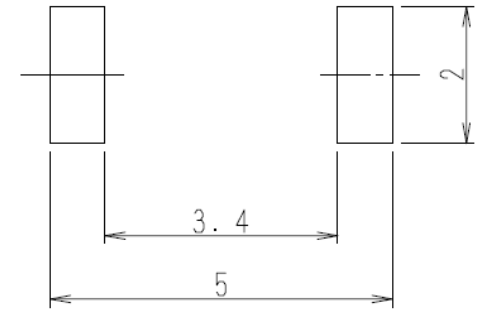
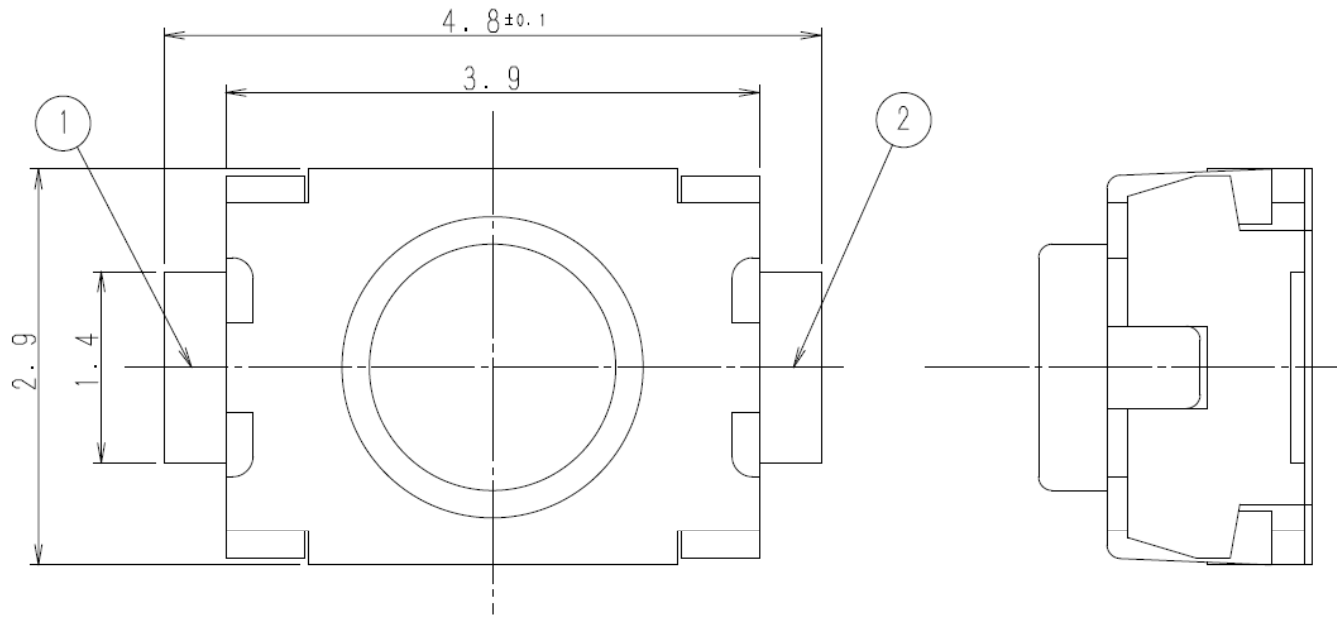
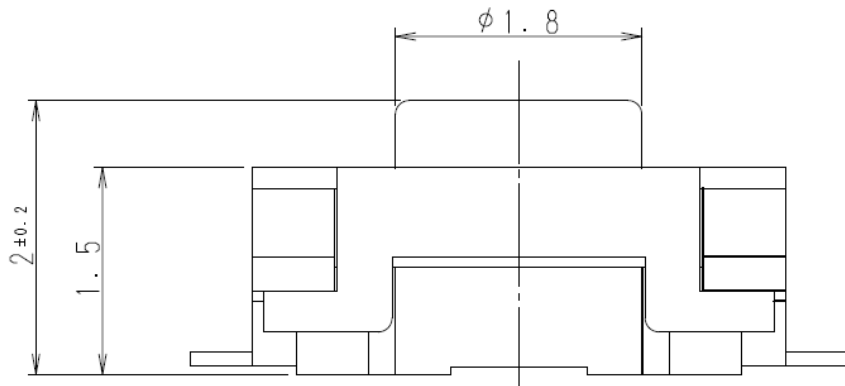
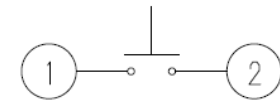


PRINTED CIRCUIT BOARD
MOUNTING PATTERN DIMENSION



CIRCUIT DIAGRAM



TOLERANCE UNLESS OTHERWISE SPEC.	
BASIC DIMENSIONS	TOLERANCE
UP TO 10	±0.3
ABOVE 10 TO 100	±0.5
ABOVE 100	±0.8
ANGULAR DIMENSINDS±3°	


 銓基電子股份有限公司
 ROKI ELECTRONICS CO., LTD.

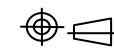
PART NAME : TACT SWITCH

SCALE :

PART NO : TS112M-□□-PF

UNIT : mm

TOLERANCE : ±0.2 mm



VER : R02